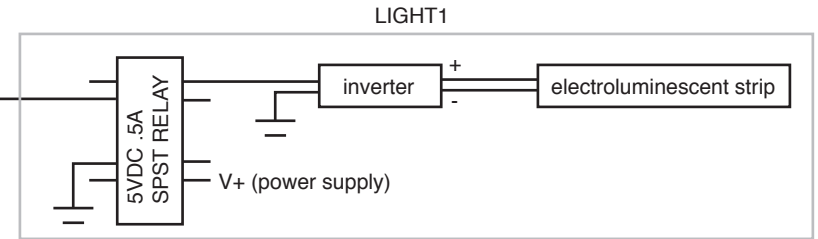
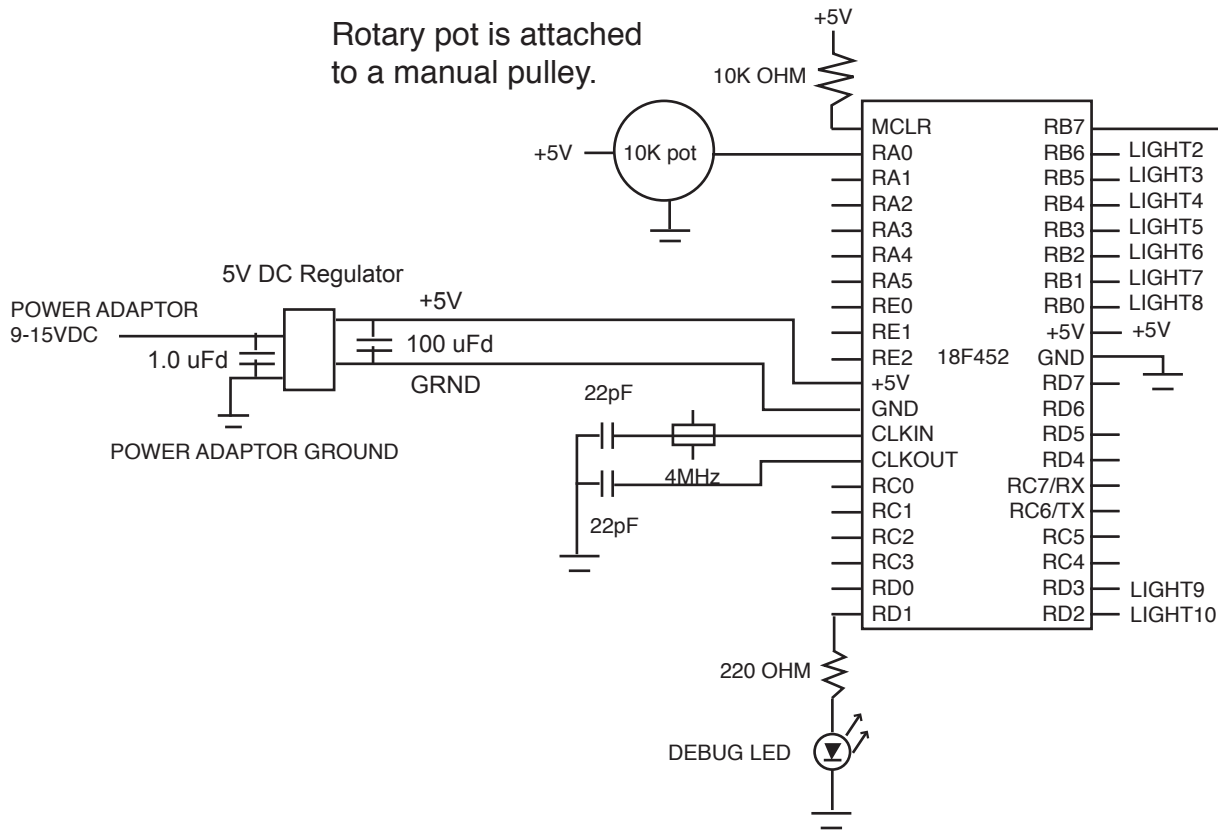


Circuit for Light & Shade project
12/04/05

Rotary pot is attached
to a manual pulley.



There are 10 lights (relay, inverter, and electroluminescent strips) connected to the PIC.